



Aseptic Centrifugal Sanitary Pumps

CSD series

Standard design

Closed coupled hygienic and aseptic centrifugal pumps with open impellers.

For optimal product security, the CSD aseptic series incorporates a steam protection barrier between the pumped product and the external environment.

It is composed of two different flushing systems: one with very high temperature water for the mechanical seal and the second is steam on the product pump connections.

Wetted parts in CF-3M 1.4404 / AISI 316L stainless steel, investment cast and electro-chemically polished.

Special internal finishes to 0,5 micron Ra are available on request.

Separate IEC standard motor:

Flow rates up to 300 m³/h, heads up to 100 m (10 bar); high performance, with low NPSH values.

The clamp casing and seal design allows quick disassembly for inspection, cleaning and maintenance.

For aggressive products and environments, CSD pumps can on special request, be manufactured in the following materials:

- Sanicro 28 (1.4563)
- Duplex SAF 2507 (1.4410)
- Hastalloy C276

Seals:

Protected, balanced and bi-directional mechanical seals with seats to EN 12756, ISO 3069 standards.

Single internal with protection barrier.

Elastomers (certified to FDA):

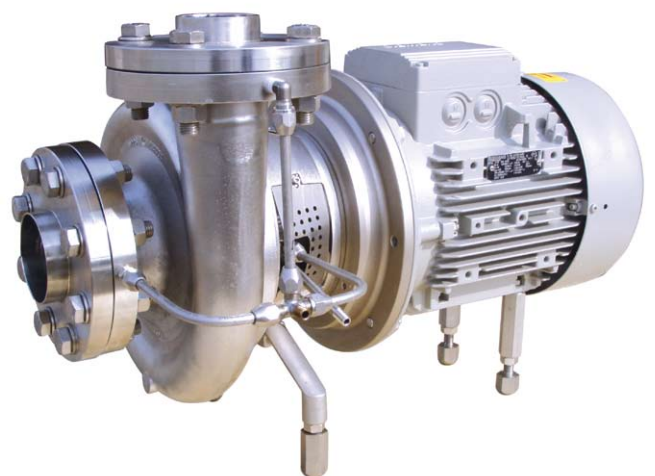
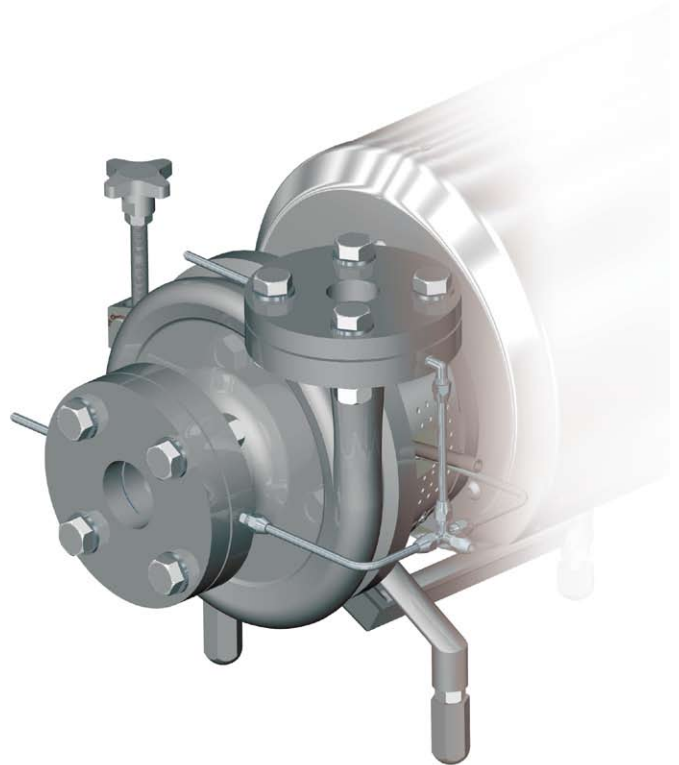
EPDM

Fluorocarbon (Viton)

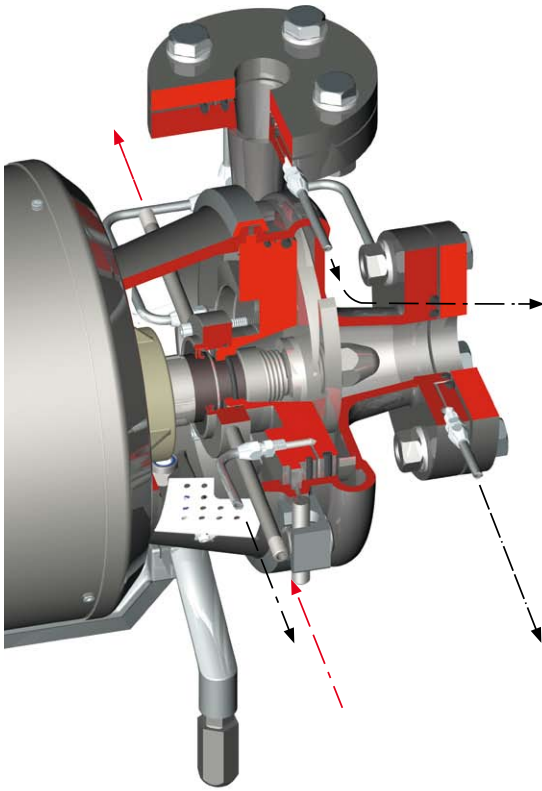
P.T.F.E. (Fep)

Connections:

EN 1092-1 PN 16 flanges.



CSD aseptic pump
Ideal for sterile products.



- STEAM PROTECTION BARRIER

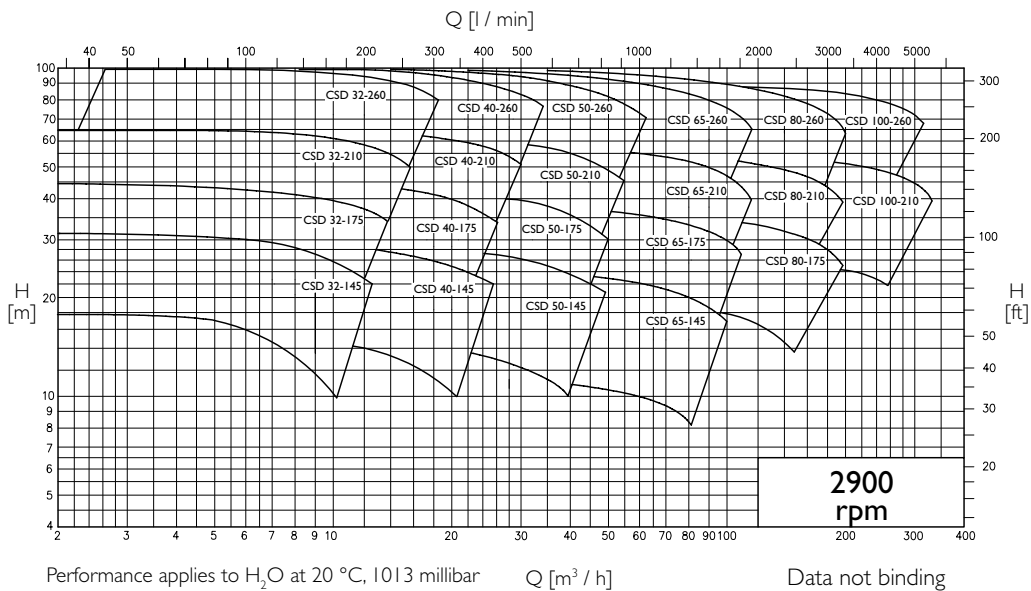
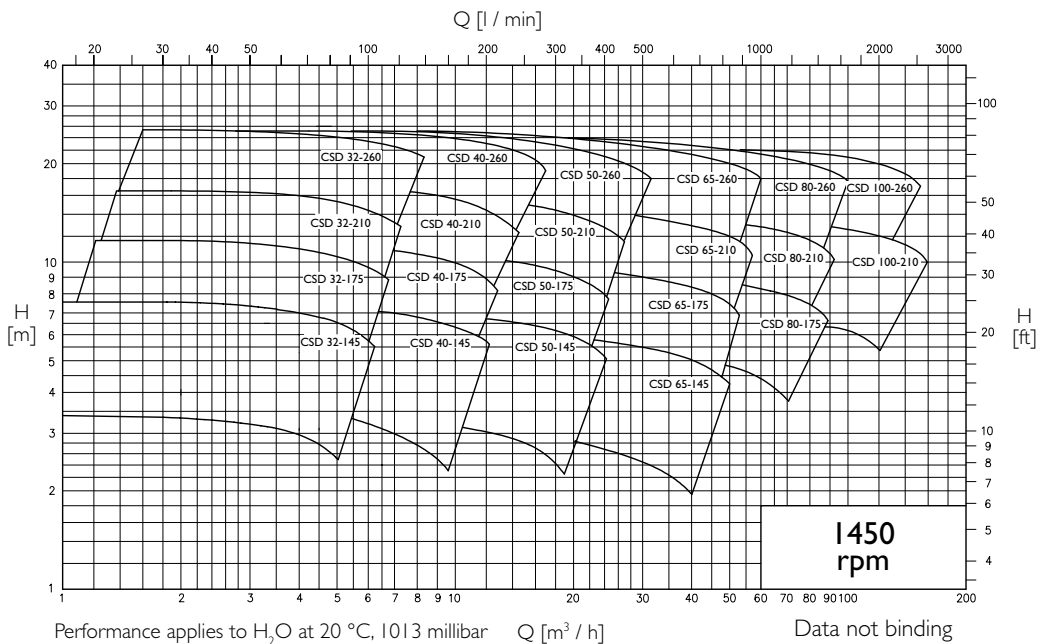
The CSD system creates a protective sterile barrier for the pumped product, by allowing steam to circulate between the pump casing / cover and the inlet and outlet flanges. As a result, all points of potential microbial ingress are securely defended.

- SEALS

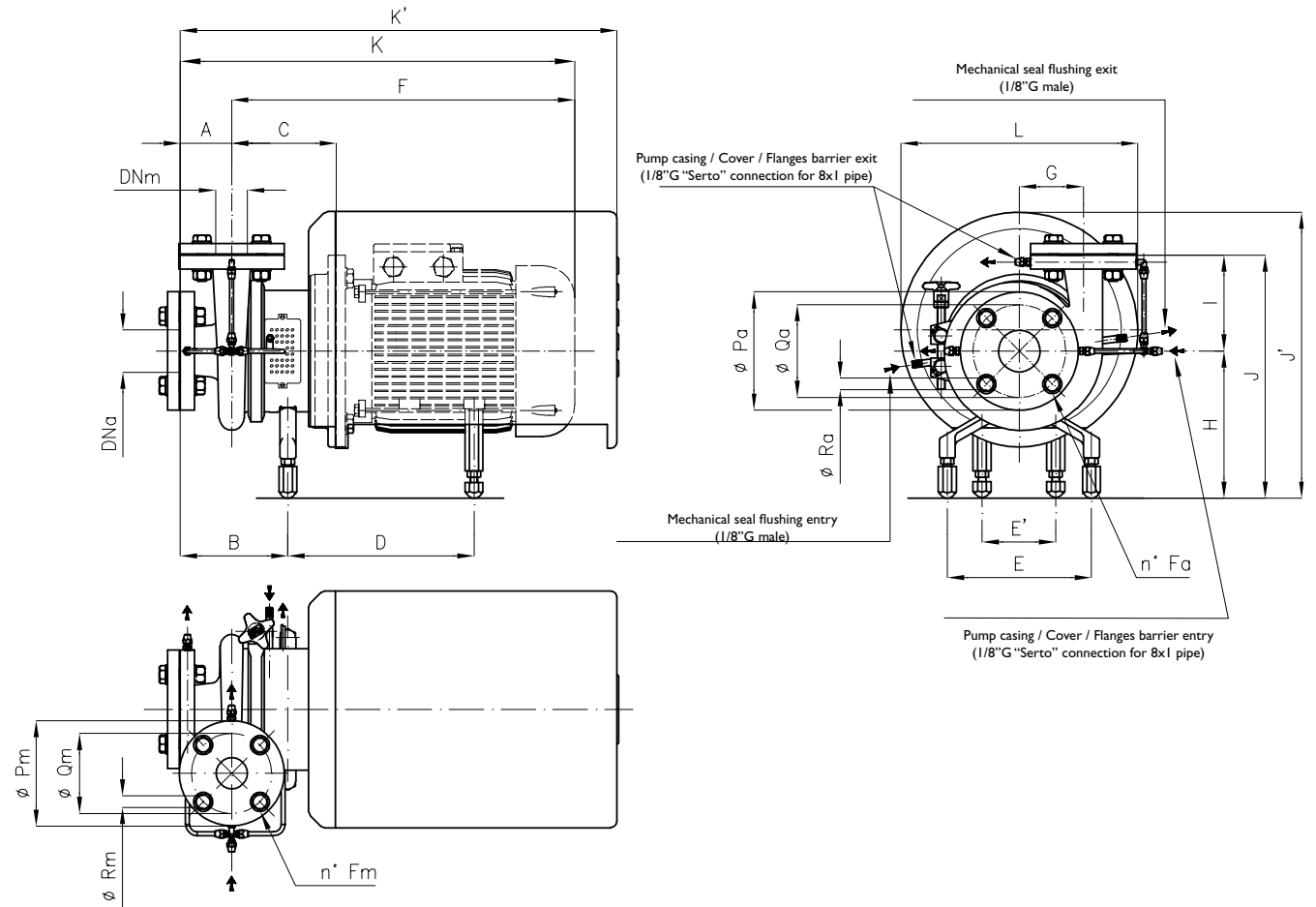
The "V execution" seal system is composed of an internal, protected, balanced and bi-directional mechanical seal with seats according to EN 12756 - ISO 3069 standards in direct contact with the product and of an external radial seal for the high temperature flushing liquid

In order to provide full protection, CSD pumps require reliable external supplies of both clean high temperature water and steam in appropriate quantities.

GENERAL DIAGRAMS



OVERALL DIMENSIONS



Dimensions not binding - DN = EN 1092-1 PN 16 flanges, with standard IEC/EN motors

Pumps	IEC motors size:	DNa	DNm	A	B	C	D	E	E'	F	G	H	K	K'	I	J	J'	L	Ø Pa	Ø Qa	Ø Ra	Ø fa	Ø Rm	Ø Qm	Ø Rm	Ø fm
CSD 32-145	80	40	32	80	167	138	231	225	-	372	85	208	452	566	135	343	372	298	150	110	18	4	140	100	18	4
	90					419	499			430																
	100					475	555			360																
	112					468	548			330																
CSD 32-175	80	40	32	80	167	139	231	225	-	373	95	213	453	567	135	348	377	298	150	110	18	4	140	100	18	4
	90					420	500			377																
	100					476	556			365																
	112					469	549			330																
CSD 32-210	80	40	32	88	166	139	231	225	-	373	110	221	461	575	155	376	385	298	150	110	18	4	140	100	18	4
	90					420	508			330																
	100					476	564			443																
	112					469	564			370																
CSD 32-M-S	132	50	32	90	184	161	283	225	-	180	140	238	634	688	177	393	460	370	165	125	18	4	140	100	18	4
	132					281	185			584			672	743		443										
	160					206	230			700			788	943		501										
	160					163	231			444			534	601		398										
CSD 32-260	90	50	32	90	184	164	301	225	-	500	140	221	590	649	177	398	385	298	165	125	18	4	140	100	18	4
	100					493	583			443																
	112					164	301			500			583	649		443										
	132					185	292			180			570	660		714	415									
CSD 32-M-B	132	50	32	90	184	185	292	225	-	180	140	238	660	714	177	415	460	370	165	125	18	4	140	100	18	4
	160					290	185			608			698	769		460										
	160					225	412			230			719	809		968	424									
	160					139	231			373			453	567		341										
CSD 40-145	80	50	40	80	168	139	231	225	-	373	90	208	453	567	133	341	372	298	165	125	18	4	150	110	18	4
	90					420	501			372																
	100					476	556			358																
	112					469	549			330																
CSD 40-175	80	50	40	80	169	141	231	225	-	375	95	213	455	569	140	353	377	298	165	125	18	4	150	110	18	4
	90					422	502			377																
	100					478	558			435																
	112					478	551			330																
CSD 40-M-S	132	50	40	80	169	164	275	225	-	180	95	230	629	683	140	370	452	370	165	125	18	4	150	110	18	4
	132					273	185			587			667	738		452										
	160					208	400			230			702	782		937	378									
	160					141	231			375			455	569		386										
CSD 40-210	90	50	40	80	161	142	301	225	-	422	115	221	502	569	165	386	385	298	165	125	18	4	150	110	18	4
	100					478	551			443																
	112					471	551			330																
	132					164	283			180			549	629		683	403									
CSD 40-M-B	132	50	40	80	161	164	281	225	-	185	115	238	667	738	165	403	460	370	165	125	18	4	150	110	18	4
	160					208	408			230			702	782		937	501									
	160					163	231			444			544	611		388										
	160					164	301			500			593	681		443										
CSD 40-260	90	50	40	100	194	185	292	225	-	180	145	238	670	724	167	405	443	330	165	125	18	4	150	110	18	4
	100					281	185			608			708	779		460										
	112					225	412			230			719	819		978	510									
	132					163	231			444			544	611		388										
CSD 50-145	80	65	50	86	170	141	231	225	-	374	95	208	462	577	145	353	372	298	185	145	18	4	165	125	18	4
	90					422	510			372																
	100					478	559			430																
	112					471	559			330																
CSD 50-175	80	65	50	80	169	141	231	225	-	374	100	213	454	569	150	363	377	298	185	145	18	4	165	125	18	4
	90					422	502			377																
	100					478	551			435																
	112					471	551			330																
CSD 50-M-S	132	65	50	80	169	164	275	225	-	180	100	230	629	683	150	380	452	370	185	145	18	4	165	125	18	4
	132					273	185			587			667	738		452										
	160					208	400			230			702	782		937	493									
	160					141	231			374			462	577		391										
CSD 50-M-B	132	65	50	80	161	142	301	225	-	422	120	221	502	569	170	391	385	298	185	145	18	4	165	125	18	4
	100					478	558			443																
	112					471	551			330																
	132					164	283			180			549	629		683	408									
CSD 50-210	132	65	50	80	161	164	281	225	-	185	120	238	667	738	170	408	460	370	185	145	18	4	165	125	18	4
	132					281	185			587			667	738		501										
	160					208	408			230			702	782		937	501									
	180					171	223			532			279	783		248										

OVERALL DIMENSIONS

Dimensions not binding - DN = EN 1092-1 PN 16 flanges, with standard IEC/EN motors

Pumps	IEC motors size:	DNa	DNm	A	B	C	D	E	E'	F	G	H	K	K'	I	J	J'	L	Ø Pa	Ø Qa	Ø Ra	Ø fa	Ø Rm	Ø Qm	Ø Rm	Ø fm	
CSD 50-260	100	65	50	90	186	165	301	225	-	501	145	238	591	671	175	413	443	330	185	145	18	4	165	125	18	4	
	112						494			584			247	812		971	422	510									430
	160						722			878		1087		579		420											
	180						788																				
CSD 65-145	80	80	65	79	173	145	231	225	-	379	112	208	458	572	145	370	353	372	298	200	160	18	8	185	145	18	4
	100						426			505			642				430	330									
	112						482			562							447	370									
	132 M-S						555			632		686		488			430										
	132 MB						475			670		741															
	160						785		940																		
	180						706																				
	180						425																				
CSD 65-175	100	80	65	80	172	145	301	225	-	481	120	213	505	572	150	380	363	377	298	200	160	18	8	185	145	18	4
	112						474			561			641				435	330									
	132 M-S						552			632		686		493			430										
	132 MB						475			670		741															
	160						785		940																		
	180						706																				
	180						425																				
	180						425																				
CSD 65-210	100	80	65	90	189	168	231	225	-	449	135	221	539	605	175	413	396	385	298	200	160	18	8	185	145	18	4
	112						505			595			675				443	330									
	160						722			815		974		510			430										
	180						791			881		1090		579			420										
	180						497			604			684			443	330										
	180						507			597																	
CSD 65-260	100	80	65	100	198	168	301	225	-	504	155	238	604	684	205	443	443	330	200	160	18	8	185	145	18	4	
	112						497			597			684				460	370									
	132 M-S						575			675		729		510			430										
	132 MB						500			713		785		579			420										
	160						790			824		983															
	180						790			890		1099															
CSD 80-175	100	100	80	100	205	174	301	225	-	510	139	230	610	690	164	394	435	330	220	180	18	8	200	160	18	8	
	112						503			603			690				452	370									
	132 M-S						580			680		734		504			430										
	160						613			830		989		573			420										
	180						796			896		1105															
	180						507			607			687			443	330										
CSD 80-210	100	100	80	100	201	171	301	225	-	500	145	238	600	687	185	423	443	330	220	180	18	8	200	160	18	8	
	112						500			600			687				460	370									
	132 M-S						578			678		732		510			430										
	160						613			827		986		579			420										
	180						793			893		1102															
	180						507			607			687			443	330										
CSD 80-260	100	100	80	100	201	171	301	225	-	507	165	238	607	687	209	447	443	330	220	180	18	8	200	160	18	8	
	112						500			600			687			443	330										
	132						585			696		750		452		460	370										
CSD 100-210	100	125	100	111	219	200	292	225	-	585	161	238	696	750	214	452	460	370	250	210	18	8	220	180	18	8	
	112						585			750			750			461	370										
	180						800			911		1120		579		420											
CSD 100-260	100	125	100	115	218	195	290	225	-	618	186	238	733	804	216	454	460	370	250	210	18	8	220	180	18	8	
	112						618			804			804			510	430										
	160						729			844		1003		579		420											
180		795		910	1118																						



CSF Inox S.p.A. Strada per Bibbiano, 7 - 42027 Montecchio E. (RE) - ITALY EU
 Ph +39.0522.869911 r.a. - Fx +39.0522.865454 / 866758 - csfitalia@csf.it - www.csf.it

Export Department • Commercial Étranger • Comercial Extranjero
 Ph +39.0522.869922 - Fx +39.0522.869841 - csfexport@csf.it - www.csf.it

All the instructions, data and representations (in whatever way executed) listed in this publication are indicative and do not binding. CSF does not stand surety or undertake any obligation for the utilisation of this document and for the information contained. In particular, it does not guarantee against omissions or errors of the data and drawings here indicated.

Notice that the technical specifications, information and representations in this document are merely indicative and approximate. CSF INOX reserves the right at any moment and without notice to modify the data, drawings and information indicated in this document.